



PALM OIL MILL CHAIN

Tianjin OuNaiDa Transmissions Technology Co., Ltd

2026

Direct Manufacturer



TEL: +(86) 022 83703208

Email: info@tjond.com

Website: www.tjond.com



Tianjin Ounaida Transmission Technology Co., Ltd. is a leading enterprise specializing in the R&D and manufacturing of high-performance industrial transmission components. Located in a modern industrial park, the company operates a 9,000-square-meter standardized manufacturing facility dedicated to providing

precise and reliable transmission solutions for the global industrial sector. The company has invested heavily in a full suite of high-precision gear and rack processing equipment and high-end CNC machinery, establishing a complete production chain from raw material processing to precision finishing. To ensure the physical accuracy of every component, we utilize cutting-edge Coordinate Measuring Machines (CMM). Operating under the rigorous ISO 9001:2015 quality management system, we guarantee that our products meet the highest industry standards. With over 20 years of profound technical expertise, Ounaida's primary business includes: Precision Gears and Racks, Linear Guides and Blocks, Ball Screws, Various Precision Transmission Components, Non-standard Custom Parts tailored for specialized industrial conditions. Innovation is our core competitiveness. Our in-house R&D team brings together a group of highly experienced senior engineers and skilled frontline technicians. From initial conceptual design and mechanical analysis to final production, our team provides professional perspectives to optimize transmission efficiency and reduce maintenance costs for our clients.



Comprehensive Industrial Transmission Solutions

We offer a comprehensive range of industrial transmission solutions. Our primary product line includes high-precision gears, racks, timing pulleys, sprockets, roller chains, ball screws, linear guides, linear modules, and other related transmission components.

1. CNC Machining & Assembly

Utilizing advanced CNC machining centers, we provide deep customization services ranging from single-part precision machining to complex component assembly. We ensure micron-level accuracy to meet the most demanding requirements for high-difficulty and non-standard parts.

2. Customized Gearbox Solutions

We specialize in the R&D and customization of various industrial gearboxes. Our one-stop power transmission services cover everything from structural design and gear ratio optimization to final assembly, ensuring high efficiency and stable performance under the most complex operating conditions.

Professional Production Team:

Providing Integrated Design, Drafting, and Manufacturing Services, ensuring the flawless execution of every solution.



Professional Sale Team:

Providing 24hours online service, accurate product quotations, and order tracking services.



Professional Technical Team:

Provides professional solutions, help maintenance customers reduce costs and improve operational efficiency.

Professional After-sale Team:

Comprehensive after-sales support eliminates your worries.

Advanced Equipments



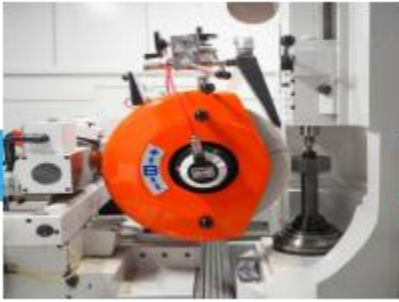
CNC Gear Hobbing



CNC Cylindrical Grinding



CNC Machine Center



CNC Gear Grinding



CNC Gear Chamfering



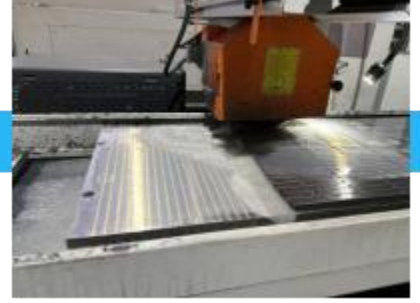
Milling and Turning



CNC Gear Rack Milling



CNC Gear Rack Grinding



CNC Surface Grinder



CNC Rack Chamfering

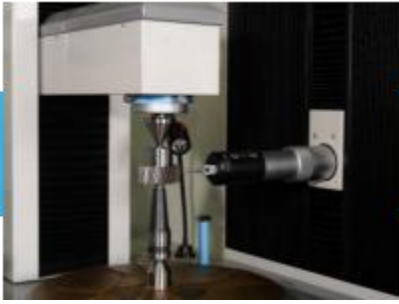


Rack End-Face Milling



CNC Cleaning Machine

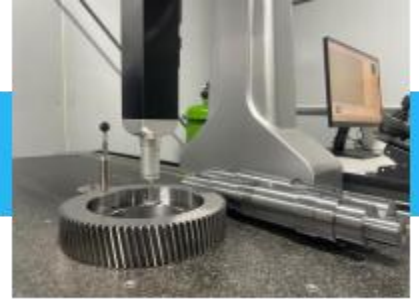
Test machines



CNC Gear Test Center



Pre-stretching and Running-in

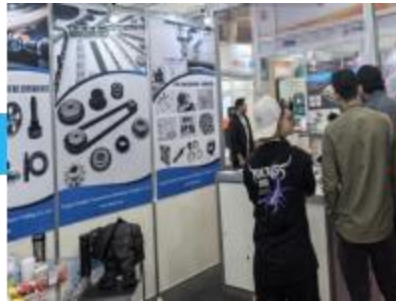


CMM

Exhibitions



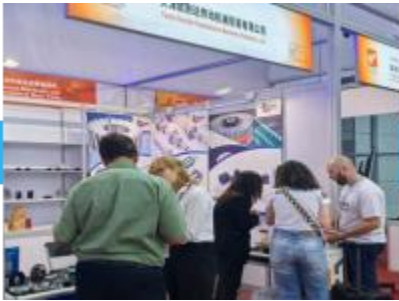
Poland



Brazil



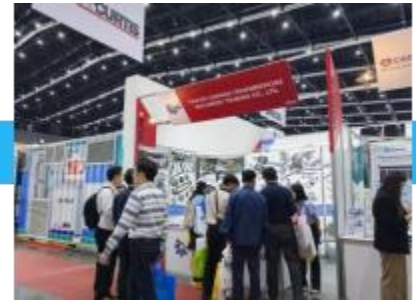
Russia



Canton Fair



Türkiye



Thailand



ISO 9001:2015

Through standardized production management and rigorous quality monitoring processes, we ensure that every stage—from design and raw material procurement to final delivery—strictly complies with international quality standards. We are committed to continuous improvement, providing our clients with high-performance industrial solutions characterized by exceptional stability and excellence.

CE Marking

Our products fully comply with EU CE certification standards, reflecting our adherence to mandatory EU requirements for safety, health, and environmental protection. The CE mark serves not only as a gateway to the international market but also as our solemn commitment to product safety and reliability, ensuring global applicability.

RoHS Compliance

The company strictly adheres to the RoHS environmental directive, implementing rigorous controls over hazardous substances such as lead, mercury, and cadmium throughout the manufacturing process. We are committed to green manufacturing, ensuring all transmission components are safe, eco-friendly, and non-toxic. By meeting international green trade standards, we actively fulfill our social responsibility for environmental protection while pursuing high-efficiency industrial production.



Intelligent Manufacturing

Utilize standardized operational procedures (SOPs) to ensure high efficiency and exceptional stability throughout the manufacturing process



Full- Process Monitoring & Management

From raw material procurement to final product dispatch, we implement a comprehensive digital monitoring system. This ensures that every manufacturing stage adheres strictly to rigorous international quality standards.



Technical Assurance

Our senior technical team focuses on process innovation and solving complex technical challenges, providing a solid foundation for the high-precision manufacturing of every product.



Quality Traceability

We have established a comprehensive quality inspection archive and an after-sales traceability system. This ensures that every product leaving our facility is fully documented and verifiable, providing our clients with absolute peace of mind regarding quality.



Instant Response

We have established an efficient customer communication and feedback mechanism to ensure that all inquiries and technical consultations receive a prompt, first-time response.



Tailored Solutions

We provide flexible, customized design services, optimizing solutions based on customer blueprints or specific operational requirements to precisely transform product concepts into reality.

Global Reach · Boundless Connectivity

With a logistics network spanning over 200 countries, we maintain deep partnerships with major global airlines and ports to ensure seamless, reliable transshipment worldwide.



Ultimate Speed · Punctual Delivery

By optimizing route planning and multimodal transport paths, we significantly shorten cross-border transit cycles and ensure highly controllable delivery timelines.



Competitive Freight · High Cost-Efficiency

Leveraging our large-scale transportation volume and direct first-hand booking channels, we eliminate middleman markups. This allows us to provide highly competitive freight solutions that significantly reduce your total integrated logistics costs.



Efficient Flow · Rapid Clearance

Our professional customs teams are stationed at core logistics hubs, deeply familiar with international customs policies and compliance procedures. By providing pre-clearance services, we drastically accelerate processing speeds and minimize inspection risks.



Full Visibility · Worry-Free After-Sales

By integrating an advanced digital logistics tracking system, we provide real-time updates on shipment status. Additionally, we assign a dedicated account manager to each client, offering one-stop, full-process consultation and after-sales assurance from order placement to final delivery.

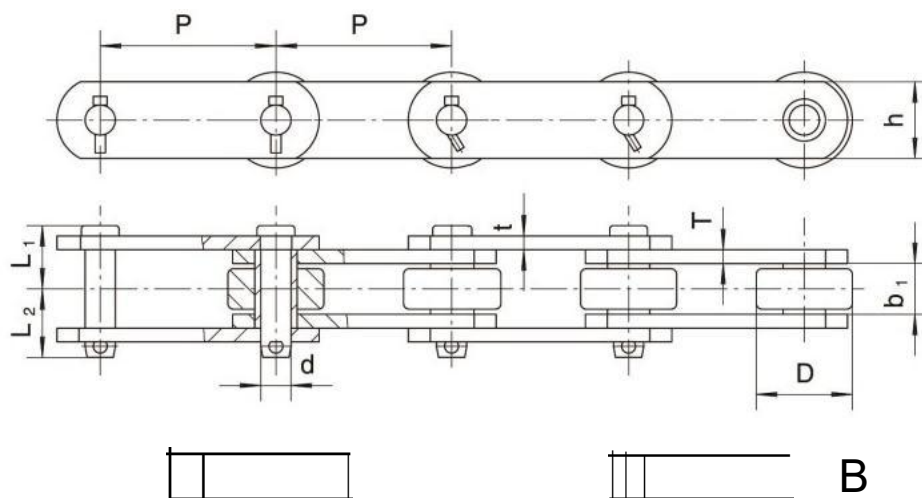


Professional Packaging · Zero-Damage

We provide both standardized and customized reinforced packaging services. Utilizing high-strength anti-collision and shock-absorbing materials, we implement specialized reinforcement for precision products to ensure the total safety of your cargo throughout the entire journey.

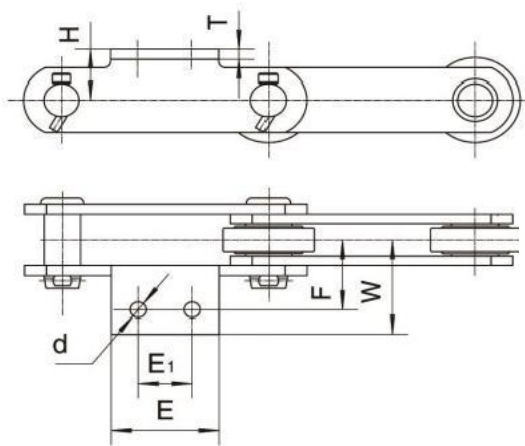
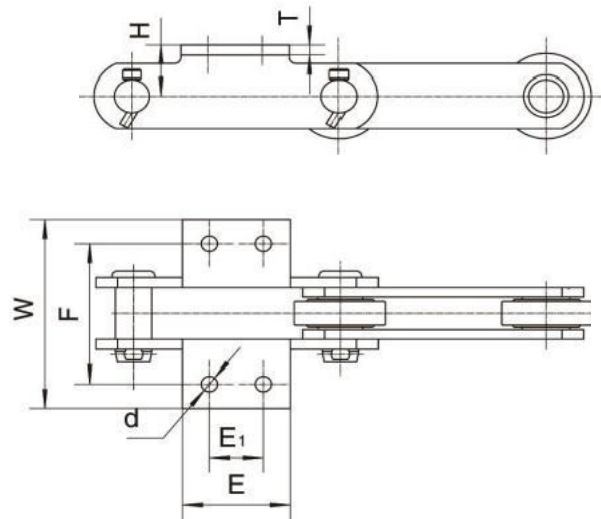


直板型棕榈油链 Palm Oil Chains with Straight Plate



链号 Chain No.	节距 Pitch	内节内宽 Width between inner plates	滚子外径 Roller diameter D(max)	销轴 Pin				链板 Plate		最小抗 拉强度 Ultimate tensile strength Q(min) kN	每米净重 Weight per meter q kg/m
				d	L,	L2	Type	h	t/T		
101005F1S	101.6	25	47.5	15.88	29.85	34.85	B	38.1	6	119	8.561
PM90R	101.6	22	47.6	11.1	23.5	27.7	B	32	4.5	95	5.8
PM94R	101.6	30	50.8	14.27	32	36.7	B	38.1	6.4	158	9.88
PM94RA	101.6	23.5	48	14.27	28.6	33.6	B	38.1	6.4	158	8.54
ES4P23	101.6	19.05	47.63	19.05	25.2	30.8	B	38.1	5.1	95	7.29
B5326H	152.4	19	47.5	19.05	24.9	31.6	A	38.1	5	88.9	5.78
ES6P21	152.4	19.05	47.63	19.05	25.2	30.8	A	38.1	5.1	95	5.89
B5289	152.4	25	66.8	22.07	30.5	37.1	A	50.8	6.4	178	11.35
B5289H	152.4	25	66.8	22.07	33.8	40.6	A	50.8	8	290	13.03
6×30000	152.4	25.4	66.7	26.9	33.9	40.9	A	50.8	6	133	10.36
ES6P36	152.4	25.4	66.7	26.9	37.1	43.9	A	50.8	7.8	215	13.43
ES6P36A	152.4	25.4	66.7	26.9	36.4	39.6	A	50.8	6.4/7.8	250	12.66
ES6P36C	152.4	25.4	66.7	26.9	30.7	40.5	A	50.8	5.1/7.1	200	11.52
ES6P36H	152.4	25.4	66.7	26.9	38.3	45.5	A	50.8	7.8/9	266.7	14.07
ES6P36HS	152.4	25.4	66.7	26.9	37.9	44.3	A	50.80	8	256	13.58
B5257	152.4	36	34.95	17.4	39.7	46.8	B	44.45	8	223	9.19
8×45000	152.4	38.1	88.9	30	44.4	43.9	A	61	8	280	18.98
09060	152.4	37.7	69.85	18.9	45.25	49.95	A	50.8	9.5	266.6	17.32
B5305	160	37.8	70	17.48	37.55	43.55	A	50.8	6.4	245	13.59
B5305H	160	37.8	70	26.9	41	40.3	A	50.8	8	330	15.717

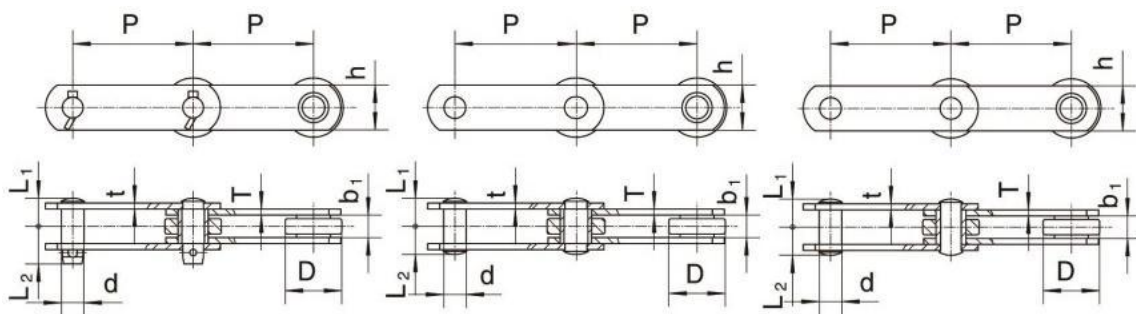
直板型棕榈油链附件 Palm Oil Chains Attachment with Straight Plate

A2 Attachment

K2 Attachment


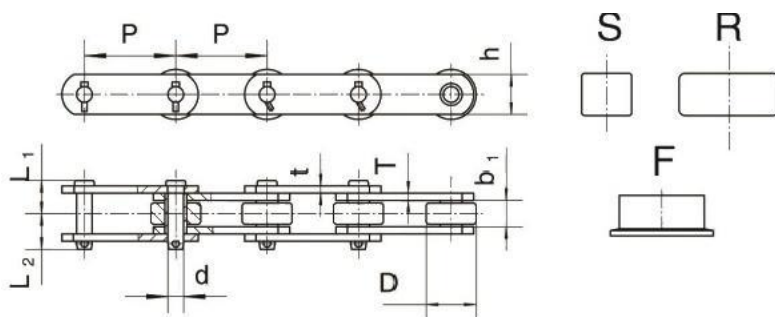
Att.No	Chain No	H	E1	E2	d1	F	W	T
		mm	mm	mm	mm	mm	mm	mm
A2	PM90R	16	31.8	63.5	11	44.5	61.5	4.5
	PM94R	19.05	31.8	63.5	10.7	44.5	62	6.4
	KT818ER	19.05	31.8	63.5	10.7	44.5	62.5	5.1
	4×30000	38	31.8	56	12.3	54	78.5	5.1
	RF101001F5	32	60	100	13	41.8	66.8	5.5
	RF101001F4	32	60	100	13	61	86	5.5
	RF604R	19.05	50.8	90	12	50.5	67	6.4
	ES6P36	38	57.2	107	12.3	54	78.5	7.8
ES6P36HS	40	40	80	12	54.9	73.9	8	

Att.No	Chain No	H	E1	E2	d	F	W	T
		mm	mm	mm	mm	mm	mm	mm
K2	PM90R	16	31.8	63.5	11	89	123	4.5
	PM94R	19.1	31.8	63.5	10.7	89	124	6.4
	KT818EB	19.05	31.8	63.5	10.7	89	135	5.1
	4*30000	38	31.8	56	12.3	108	157	5.1
	RF604R	19.05	50.8	90	12	101	134	6.4
	ES6P36	38	57.2	107	12.3	108	157	7.8
	101005F1S	32	40	75	11	90	120	6

直板型棕榈油链 Palm Oil Chains with Straight Plate

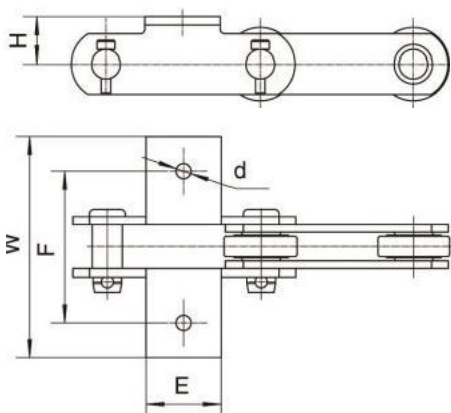


链号	节距	内节内宽	滚子外径	销轴				链板		最小抗拉强度	每米净重		
				Pin				Plate				Ultimate Tensile strength	Weight per meter
				d	L ₁	L ₂	Type	h	t/T				
mm	mm	mm	mm	mm	mm	mm	mm	mm	kN	kg/m			
RF101001F2	101.6	21.4	47.6	17.46	26.55	26.55	B	40	5.5	168.9	7.714		
4×15000	101.6	18.9	47.63	19.05	24.5	30.1	C	40	5/6	66.7	7.44		
RF 4×21000	101.6	19.05	47.63	19.05	22.5	28	C	39.4	4/5.1	116	6.574		
4×30000	101.6	25.4	66.7	28	28.8	28.8	B	50.8	5.1/7.1	133	14.07		
KT818EB	101.6	19.05	47.63	19.05	24.2	30.3	A	38.1	5.1	97.8	7.1		
KE818EB-R	101.6	19.05	47.63	19.05	24.2	24.2	B	38.1	5.1	97.8	6.96		
6×45000	152.4	38.1	88.9	31.8	43	43	B	61	9	200	32.43		
RF6×50000	152.4	25.4	66.7	26.9	30.25	36.75	C	50.8	6.4	222	11.38		



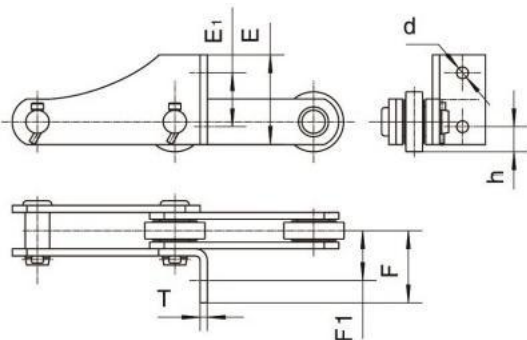
链号	节距	内节内宽	滚子外径	销轴			链板		最小抗拉强度	每米净重			
				Pin			Plate			Ultimate tensile strength	Weight per meter		
				d	L ₁	L ₂	h	t/T			Q(min)	q	
mm	mm	mm	mm	mm	mm	mm	mm	mm	kN	S	R	F	
RF05100S/R	100	22	22.23/40	11.3	24.8	28.4	32	4.5	75	3.734	5.077	/	
RF604R	152.4	30	50.8	14.27	31.9	36.8	38.1	6.4	158	7.85	/	8.3	
604RA	152.4	33	50.8	14.27	33.5	38.2	38.1	6.4	158	8.22	/	8.67	
RF6205	152.4	36.8	57.2/34.9	15.88	40.8	44.2	44.5	8	186	9.133	11.97	/	

直板型棕榈油链 Palm Oil Chains with Straight Plate



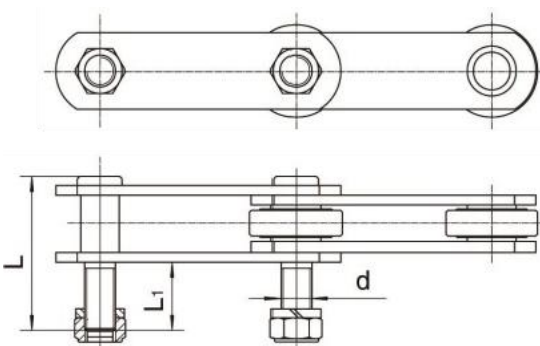
K1 Attachment

Chain No	H	W	F	E	d
	mm	mm	mm	mm	mm
RF101001F2	30.95	146.1	85	50	10
	30.95	146.1	100	50	10
	30.95	146.1	100	50	13
	30.95	146.1	90	32	12
	30.95	146.1	110	50	13
	30.95	146.1	110	50	10
ES6P36HS	40	147.8	110	50	13
B9503	25.4	142.35	111.25	46.5	11.94



LA2 Attachment

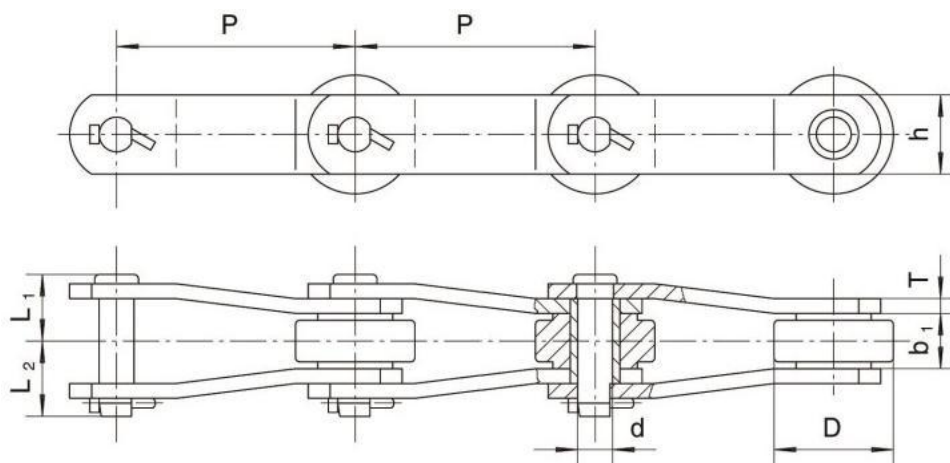
Chain No	E1	E	h	d	F1	F	T
	mm	mm	mm	mm	mm	mm	mm
RF101001F2	45	80	21.3	13	47.5	72.5	5.5
ES6P36HS	60	100	27.95	13	55.3	80.7	8
B5289	40	88.9	22.86	11.9	50.8	69.85	6.4



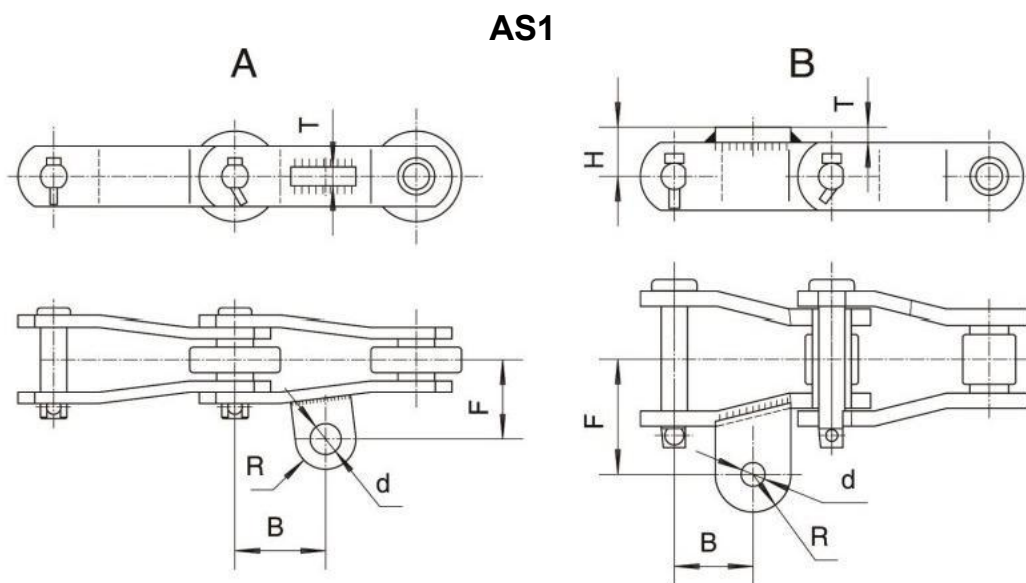
SD Attachment

Att. No	Chains No	L	L3	d
		mm	mm	mm
SD	RF101001F2	71.9	22	M16
	B1016H	86.8	35.8	M16
	ES4P23	81.6	36	M16
	ES4P23 · N3	75.4	30	M16*1.5
	PM94R	92.5	32	M12
	09060	122	38	M18
	ES6P36	110.5	44	M24
	ES6P36A	112.5	47.7	M24
	ES6P36C	100.7	44	M24
	ES6P36H	114.3	45	M24
	ES6P36HS	111.8	44	M24
		108.8	44	M24
	ES6P21	75.4	30	M16*1.5
	B5289	96.8	39.7	M20
	B5289H	114.5	51	M20
	KT818EB	75.4	31	M16
RF6 × 50000	105.4	45	M24	
6 × 45000	131.5	50	M27	
8 × 45000	140	62	M27	

弯板型棕榈油链及配件 Palm Oil Chains with Bent Plate and Attachment

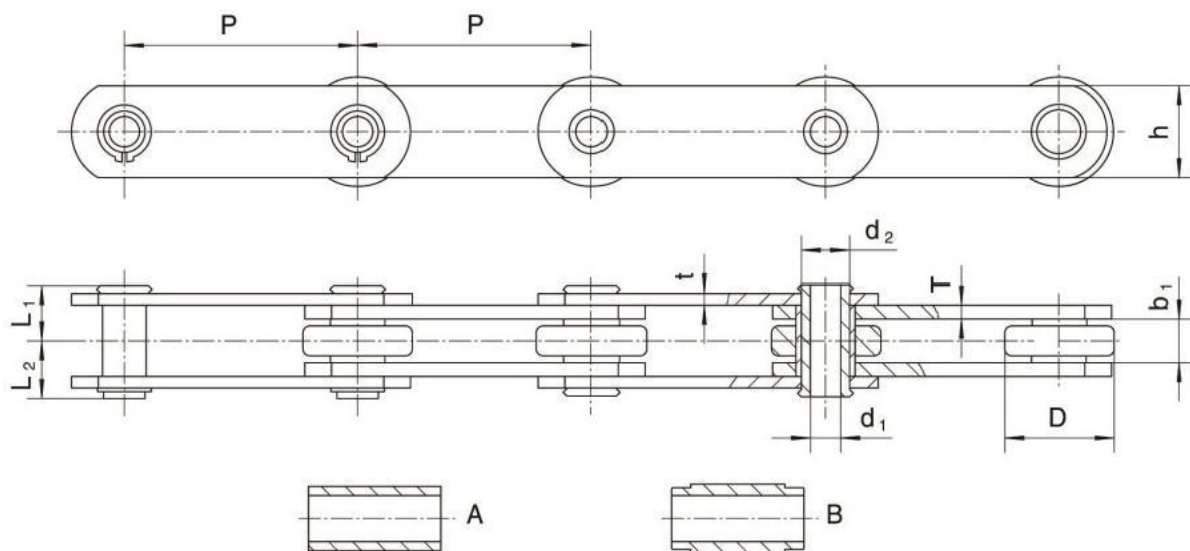


链号	节距	窄端内宽	滚子外径	销轴			链板		最小抗拉强度	每米重量
Chain No	Pitch	Inside Diameter	Roller Diameter	pin			plate		Ultimate Tensile Strength	Weight Per Meter
	P	b1 (min)	D(max)	d	L1	L2	h	T	Fu (min)	q
	mm	mm	mm	mm	mm	mm	mm	mm	KN	Kg/m
B5029	66.17	28	22.23	11.1	31.7	35.1	28.6	6.4	122.8	5.41
B5234	152.4	34.9	76.2	22.3	43.9	53.4	50.8	9.5	355.6	17.93



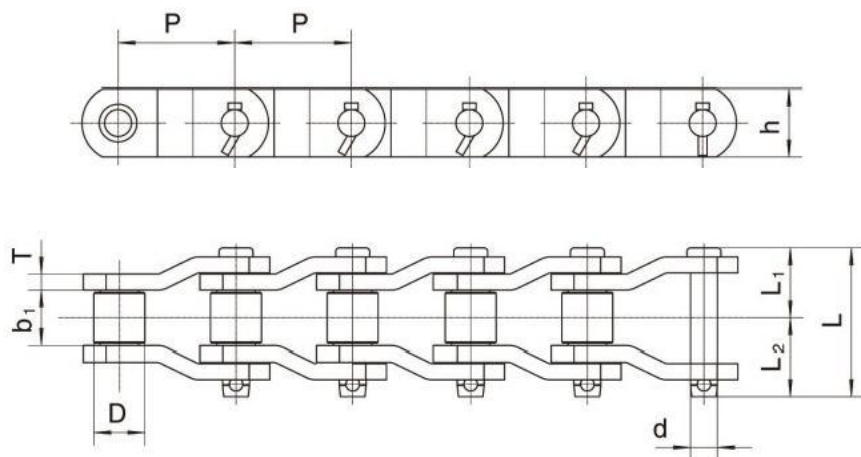
附件号	链号	H	T	B	F	R	d	Type
	Chain No	mm	mm	mm	mm	mm	mm	
AS ₁	B5234	/	15	76.2	66.7	25.4	20.64	A
	B5029	20.7	6.4	33.08	48.4	15.875	10	B

空心销轴型棕榈油链 Hollow Pin Type Palm Oil Chains



链号	节距	内节内宽	滚子外径	销轴					链板		最小抗拉强度	每米重量		
				Pin					Plate				Ultimate Tensile Strength	Weight Per Meter
				P	b1 (min)	D (max)	d1	d2	L1	L2			Type	h
mm	mm	mm	mm	mm	mm	Mm		mm	mm	KN	Kg/m			
4×1500HP	101.6	18.9	47.63	13.1	19.05	24.2	24.8	A	40	5/6	66.7	6.92		
4×2100HP	101.6	19.05	47.63	13.1	19.05	23	24	B	39.4	5.1	95	6.56		
RF4×2100HP	101.6	19.05	47.63	13.2	19.05	23.05	29.45	B	39.4	5.1	95	6.52		
4×3000HP	101.6	25.4	66.7	19.56	25.8	28.8	29.4	B	50.8	5.1/7.1	200	12.723		
6×3500HP	152.4	25.4	66.7	20.1	25.8	27.7	28.3	B	50.8	5.1/6	177.8	9.52		
6×3600HP	152.4	25.4	66.7	20.1	26.9	28.8	29.4	B	50.8	5.1/7.1	200	10.1		
K6×3600HP	152.4	25.4	66.7	20.1	26.9	29.3	31.6	B	60.8	7.1/7.1	200	11		
RF6×3600HP	152.4	25.4	66.7	20.1	26.9	29.4	30	A	50.8	6.4/6.4	200	10.35		
6×3600HHP	152.4	25.4	66.7	20.1	26.9	30.8	31.6	B	50.8	6.4/7.8	220	11.06		
6×5000HP	152.4	25.4	66.7	20.24	26.9	31	31.8	B	50.8	6.4/8	220	11.1		
6×6500HP	152.4	25.4	66.7	20.24	28	32.6	33.4	B	50.8	8	288.9	11.763		
8×4500HP	203.2	38.1	88.9	22.85	30	40	44.2	A	61	8	280	17.27		

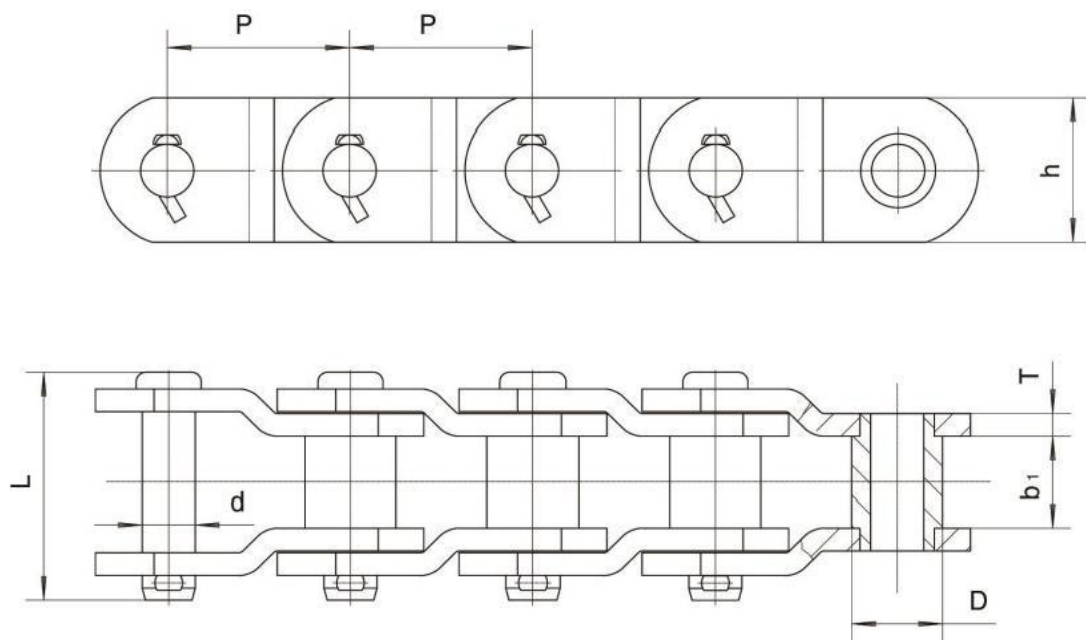
重载传动用弯板链 Heavy-Duty Cranked-Sidebar Roller Chains



Properties
TH Thru-Hardened
CARB Carburized
SIH electively Induction
Hardened

链号 Chain No.	节距 Pitch	窄端内宽 Inside width at narrow end	滚子外径 Roller		链板 Sidebars		销轴 Pin				最小抗拉强度 Ultimate tensile strength	每米净重 Weight Per meter
			D(max) mm	Properties	h mm	T mm	d mm	L1 mm	L2 mm	Properties		
EXS2065	50.8	31.75	28.7		41.4	7.9	14.99	38.4	42.9		288.9	11.3
ZY2010	63.5	37.9	31.75	CARB	44.5	8	15.88	41.9	46.2	TH	254	13.1
MXS882	66.27	28.7	22.1		28.7	6.4	11.18	32.8	36.3		124.5	5.36
ZY3067	77.9	39	41.4	TH	50.8	9.5	19.05	46.1	53.5	TH	300	17.9
ZY1568	77.9	38.61	41.27	TH	57.2	9.5	19.05	46.1	52.5	SIH	360	20.2
API3P	78.1	37.5	31.75	TH	39.6	9.5	16.5	45.5	50.9	TH	330	12.8
ZY1037	78.1	36.83	31.75	TH	44.45	9.5	16.51	44.9	49.3	TH	270	13.9
1190EXX	78.1	37.5	31.75	TH	44.45	9.5	16.5	45.5	50.9	TH	330	13.3
ZY1030	78.1	36.83	32	CARB	38.1	8	15.75	41.4	46.8	TH	109	10.4
E238R	88.9	36.83	44.45	TH	57.2	12.7	22.23	52.65	54.65	SIH	666.75	22.9
ZY2814	88.9	38.1	44.45	TH	60.5	12.7	22.23	53.6	62	TH	516	25.3
1664A	101.6	56.06	57.15		82.55	14.2	30.18	65.2	75		1111	42.55
ZY6214	101.6	68.66	57.15	TH	69.85	12.7	31.55	68	76.9	SIH	480	37.6
API4P	103.2	50.8	44.45	TH	57.2	12.7	22.23	60.2	67.5	TH	666.8	23.8
ZY1240	103.2	48	44.45	TH	50.8	12.7	22.1	58.1	65.9	SIH	209	21.4
ZY1244	103.2	48	44.45	TH	54	12.7	22.1	58.1	67.5	SIH	400	22.4
E4073	103.45	48.8	45.21	TH	60.3	14.3	25.4	62.8	70.3	TH	755.7	27.8
ZY1245	103.45	47.63	45.23	SIH	60.3	14.3	23.8	62.9	71.4	TH	560	28.4
ZY3315												
ZY4522	114.3	52.3	57.15	TH	79.2	14.3	27.94	63.8	72.2	TH	760	38.1
ZY635	114.3	50.8	57.15	TH	76.2	14.3	27.94	62.6	71.7	SIH	740	37.4
ZY4523	118.11	52.3	57.15	TH	82.6	16	27.94	67.2	75.6	TH	850	41.9
1605AAA	127	65	63.5		88.9	19.05	34.93	80.1	89.5		1466	59.2
EXS5027	127	69.4	63.5	TH	88.9	15.9	31.75	78.5	84.5	TH	1156	51.3
ZY1207	127	68.25	63.5	TH	88.9	15.9	31.55	74.1	78.1	SIH	990	51.18
EXS6042	152.4	77.8	76.2		101.6	19.05	38.1	86.5	98.6		1866	69.03
ZY4824	152.4	74.6	76.2	TH	101.6	19.05	37.9	85.2	97	SIH	1400	69.1

重载弯板套筒链 Heavy-Duty Cranked-Sidebar bush Chains



链号	节距	窄端内宽	滚子或套筒外径	链板		销轴			最小抗拉强度	每米净重
				Sidebars		Pin				
				h	T	d	L1	L2		
ZY6065	152.4	75.8	76.2	120.7	19.05	44.45	88.1	96.1	1970	81.25
※ZY6060	152.4	101	88.9	114.3	22	47.63	108.65	120.65	1700	102
ZY850	152.4	57.15	50.8	82.6	16	33.27	157	634.7	45.3	36.6
ZY6066	152.4	75.8	76.2	120.7	19.05	44.45	184	1778	124.5	81.3
ZY886	177.8	68.33	66.68	101.6	19.05	41.07	172.2	1300	84.5	60.2

※链条为滚子弯板链，其余为套筒弯板链。

※ The chain is roller cranked-link chain, the others are bush cranked-link chains.

Tianjin OuNaiDa Transmissions Technology Co., Ltd

天津欧耐达传动科技有限公司



Product Catalog

ADD: No. 10 Tengwang Road, Beichen District, Tianjin 300401

Email: info@tjond.com

Website : <https://www.tjond.com>